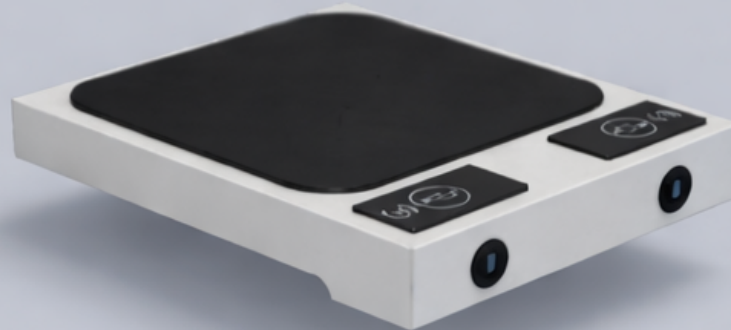
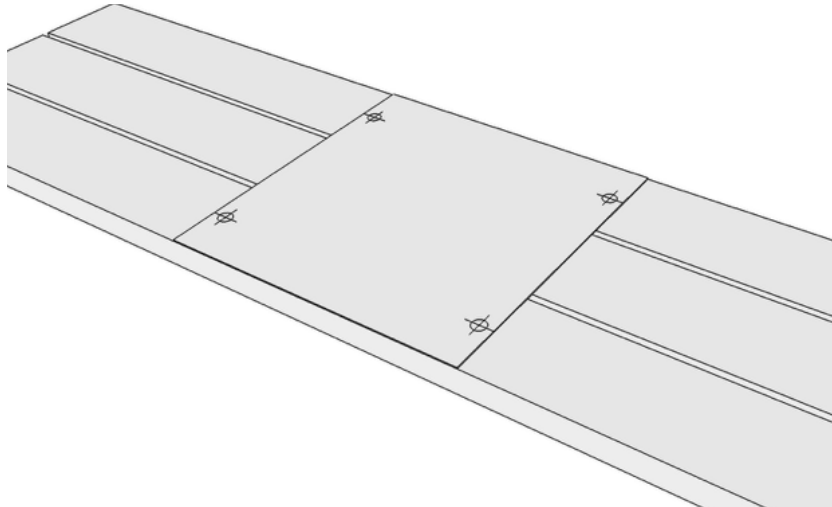


Smart HUB



Installation manual

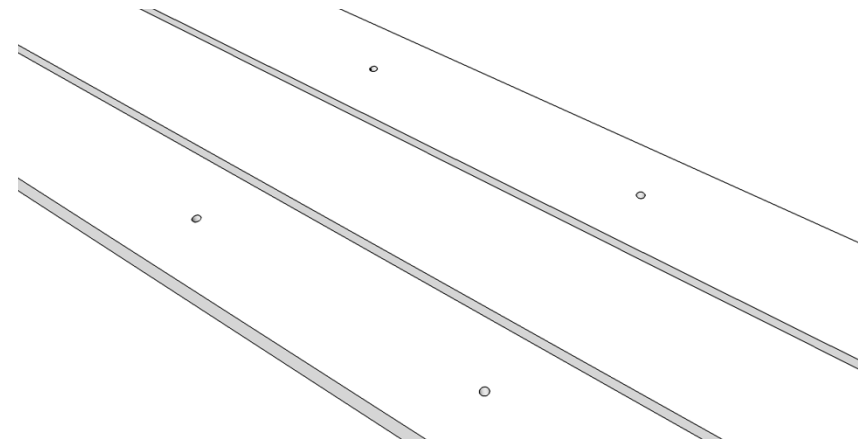
- 1) Place the paper template included in the package onto the bench. Align it with the front edge of the bench, specifically with the edge of the first seating slat.



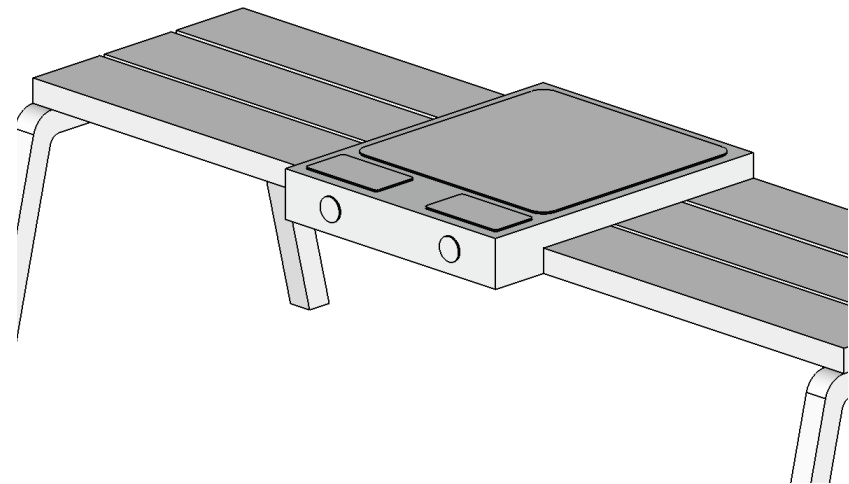
Ideally, all four holes marked on the template should be positioned above the wooden slats, as this provides the best conditions for installing the Smart HUB.

- 2) Once the template is correctly positioned, use an electric drill with an 8 mm drill bit to mark (transfer) the four hole positions onto the wooden slats.

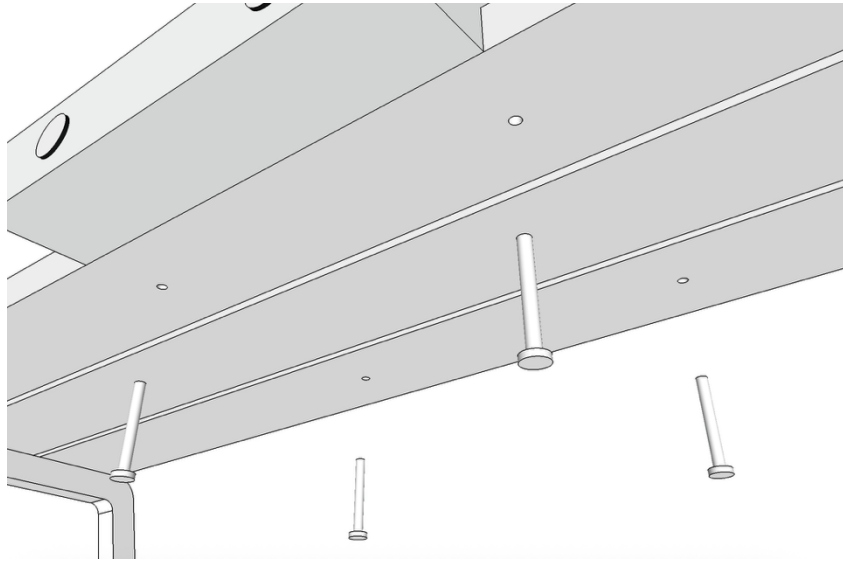
Remove the template and drill the holes completely through the slats. The surface is now prepared for installing the Smart HUB.



- 3) Position the Smart HUB on the bench so that the holes on its underside align with the drilled holes on the bench.

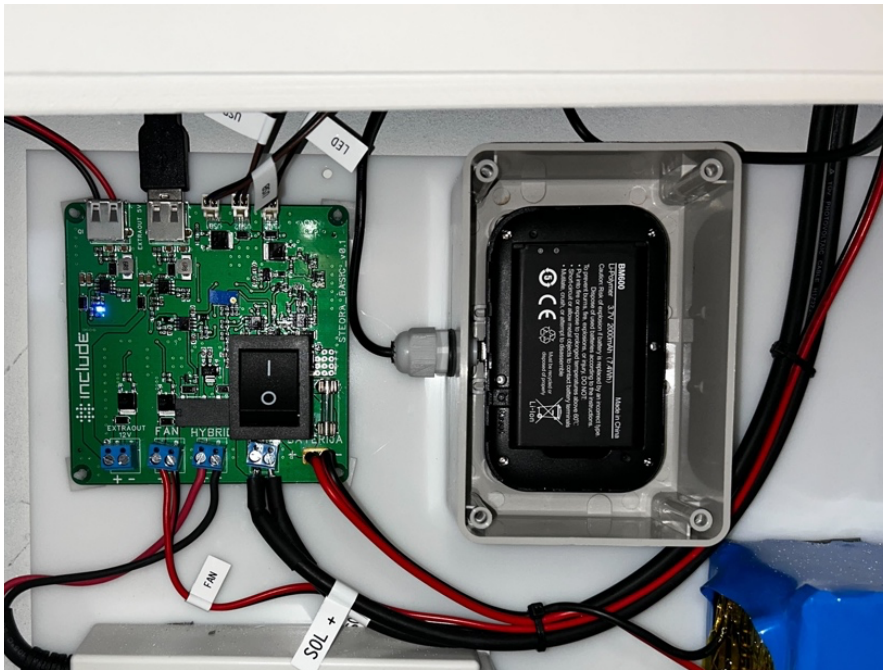


- 4) From the underside of the bench, insert M6 × 80 mm bolts through the wooden slats and tighten them using a socket wrench.
If necessary, use metal spacers.
If any mounting holes fall between the slats, install the provided spacers from below to properly secure the Smart HUB to the bench.



If you bought a Wi-Fi module that communicates via a SIM card the device may require manual setup for an access point name (APN) and/or SIM card PIN for the system to work properly. Setting up an APN and/or PIN requires using a device with Wi-Fi access, such as a laptop or mobile device.

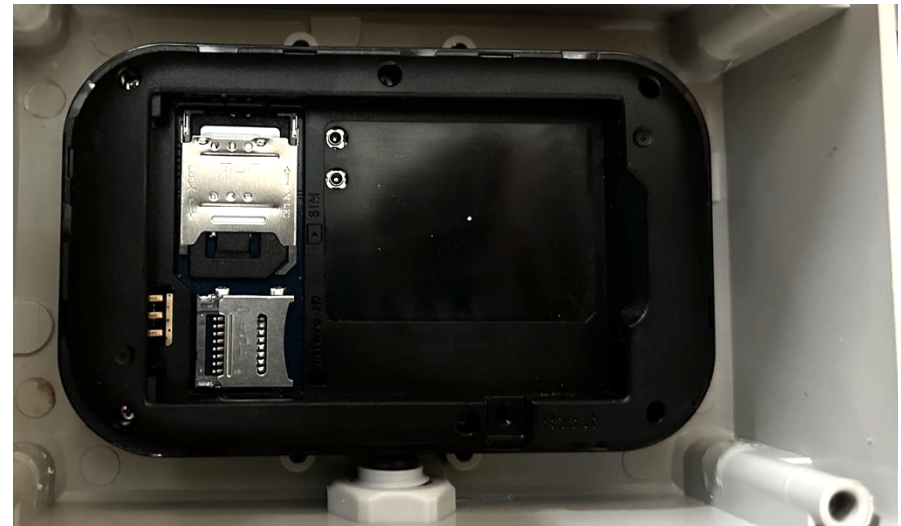
1) Open the waterproof casing with a Phillips screwdriver and you will see a Wi-Fi device placed inside the casing:



2) Inside the casing you will also find two plastic SIM adapters. This Wi-Fi device uses a regular-sized SIM card, so in case your SIM card is micro or nano, you can use adapters for making it regular-sized, as shown in the next photo:



3) Remove the battery from the Wi-Fi device and insert the SIM card in the SIM card slot. The SIM card can only fit one slot in one direction:

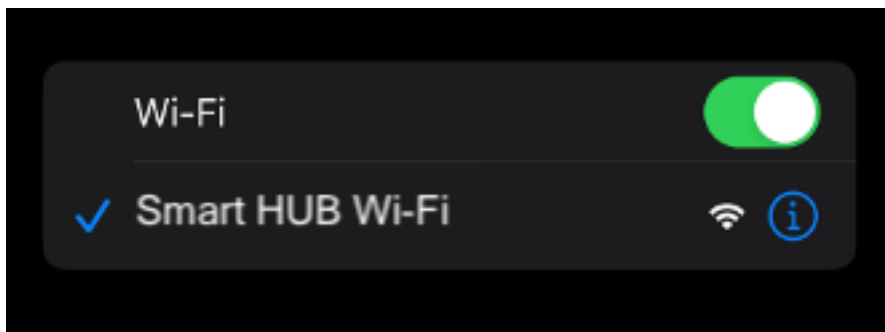


4. Put the battery back into the Wi-Fi device, turn on the bench with the ON/OFF (1/0) button on the main electronic board and press the POWER button on the

Wi-Fi device. The POWER button on the Wi-Fi device is positioned on the opposite side from the power connection cable:



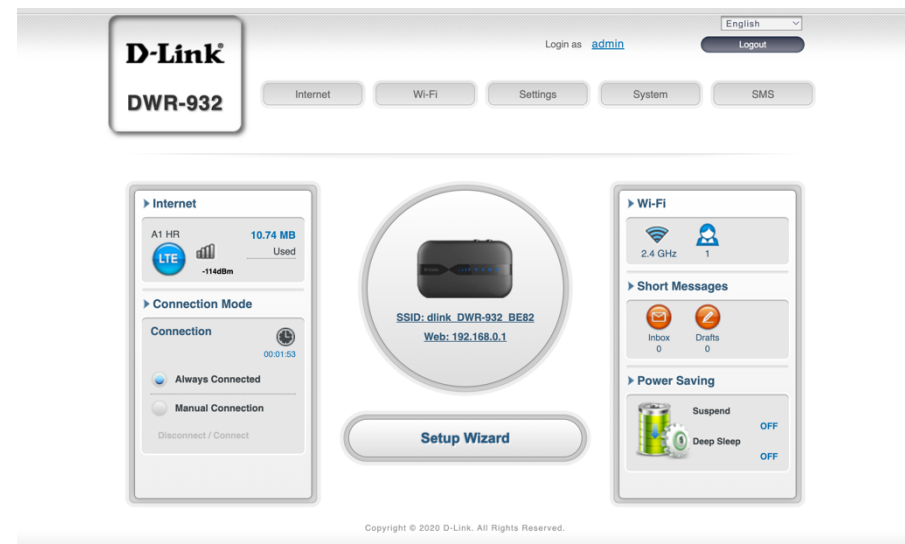
5) Wait for two or three minutes and the Wi-Fi network named “Smart HUB Wi-Fi” should be visible on your PC or smartphone:



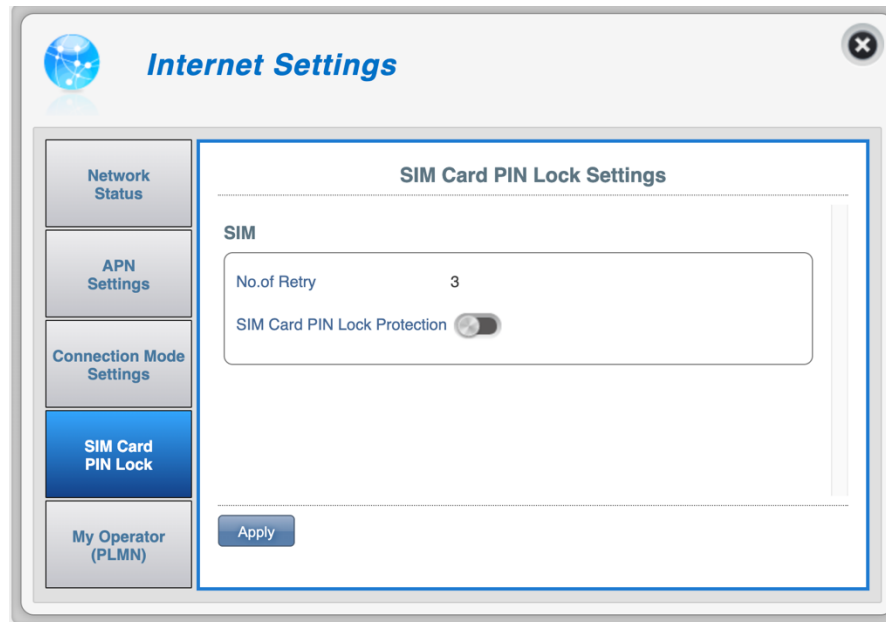
6) Connect to the network and use a web browser to go to 192.168.88.1 to log in to the router’s configuration interface. The default username is admin and the password is placed on the inside of the waterproof casing hatch:



7) Once you are connected to the configuration interface you should see basic information, such as if the device is already connected to the internet, signal strength, SSID etc.:



8) To change APN manually click on Internet and then APN settings. To remove the SIM card PIN lock click on the Internet and then on SIM card PIN lock:



9) Click Apply to save changes and test the internet connection by visiting pages such as speedtest.net

10) If everything works as expected you can now close the waterproof casing. We recommend not turning off the Wi-Fi device on the POWER button, as you will have to open the waterproof casing if you want to turn it on again.

Include Ltd.

don Frane Bulića 183a

21210 Solin

Croatia

www.include.eu

PRINTED ON RECYCLED PAPER